

INFORMATION BY APPLICANT

APPLICANT TO FILL IN ALL INFORMATION LINES OR N/A IF IT DOES NOT APPLY.

NEW INSTALLATION RECONSTRUCTION

PIPELINE CARRYING FLAMMABLE OR HAZARDOUS SUBSTANCES
 (SEE RAILROAD STANDARD C.S. 1742)
 NON-FLAMMABLE SUBSTANCES
 (SEE RAILROAD STANDARD C.S. 1741)
 CULVERT

APPLICANT DOING BUSINESS AS: INDIVIDUAL PARTNERSHIP
 CORPORATION MUNICIPALITY

APPLICANT.....
 ADDRESS.....
 CITY.....
 COUNTY.....
 CONTACT PERSON.....
 FACILITY.....
 PURPOSE.....

IF PIPE OR CASING DIAMETER IS GREATER THAN 3'-6" APPLICANT SHALL SUBMIT ENGINEERING PLANS, CALCULATIONS, SPECIFICATIONS, AND SOILS REPORT.

DISTANCE TO PERMANENT RAILWAY STRUCTURE.....
 ANGLE OF CROSSING WITH TRACKS.....
 SOIL CLASSIFICATION.....
 PIPE SLOPE OR GRADIENT.....

	CARRIER PIPE	CASING PIPE
CONTENTS TO BE HANDLED.....
NOMINAL DIAMETER.....
PIPE MATERIAL.....
SPECIFICATION AND GRADE.....
WALL THICKNESS.....
OPERATING PRESSURE/MAXIMUM PRESSURE.....
MINIMUM YIELD STRENGTH.....
TYPE OF JOINT.....
COATING MATERIAL.....
METHOD OF INSTALLATION.....
LENGTH OF CASING (ACTUAL).....

DISTANCE OF CASING PERPENDICULAR FROM CENTERLINE OF TRACK L..... R.....
 VENTS: NUMBER..... SIZE..... DISTANCE OUT FROM CENTERLINE L..... R.....
 DISTANCE TO SHUT-OFF VALVES ON EACH SIDE OF R/W..... L..... R.....
 BURY: BASE OF RAIL TO TOP OF CASING.....
 BURY: ROADWAY DITCHES.....
 TYPE, SIZE AND SPACING OF INSULATORS OR SUPPORTS.....
 SEALS AT ENDS OF CASING: BOTH ENDS..... ONE END..... TYPE.....
 CATHODIC PROTECTION.....
 CASING FILLER.....

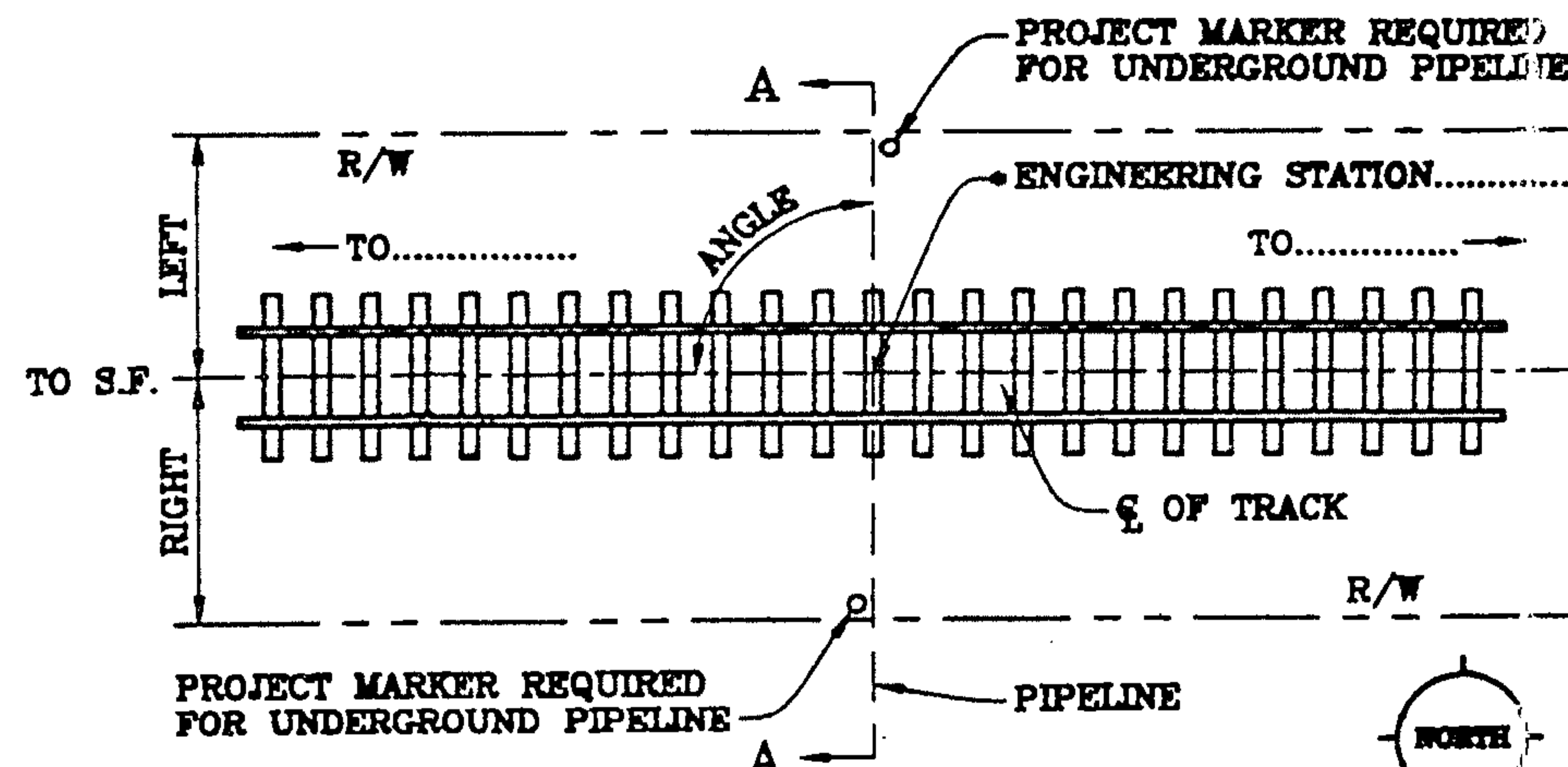
LONGITUDINAL PIPELINES
 DISTANCE FROM TRACK CENTERLINE..... L..... R.....
 DEPTH OF BURY TO TOP OF PIPE..... MIN..... MAX.....
 HEIGHT FROM BASE OF RAIL TO TOP OF PIPE..... MIN..... MAX.....

FLAMMABLE SUBSTANCE PIPELINE: CLASS LOCATION..... DESIGN FACTOR.....
 APPROXIMATE DATE OF WORK WILL BE DONE.....
 MINIMUM OF 5 DAYS NOTICE REQUIRED PRIOR TO ENTRY FOR CONSTRUCTION

UNDERGROUND FIBER OPTIC CABLE MAY BE LOCATED ON RIGHT-OF-WAY.
 CONTACT UNDERGROUND SERVICE ALERT AT (800) 642-2444
 TO VERIFY LOCATION AND PRIOR TO DIGGING.

INFORMATION BY RAILROAD

RAILROAD CORP.....
 STATION NAME.....
 ROUTE NO.....
 MAIN LINE.....
 BRANCH LINE.....
 OTHER.....
 E.S.....
 DIST. 'L'..... DIST. 'R'.....
 VAL SEC..... SHT.....
 NO. OF TRACKS CROSSED.....
 JOINT FACILITY LINE YES..... NO.....
 CONC GR R/W..... FEE.....
 FRANCHISE.....
 COUNTY.....
 RAILROAD INSPECTION:
 REQUIRED.....
 ESTIMATED COST.....
 PHONE CALL FOR INSPECTION.....
 REGION.....
 DRAWING NO.....
 SHEET NO.....
 DATE.....
 BY.....
 CHECKED BY.....

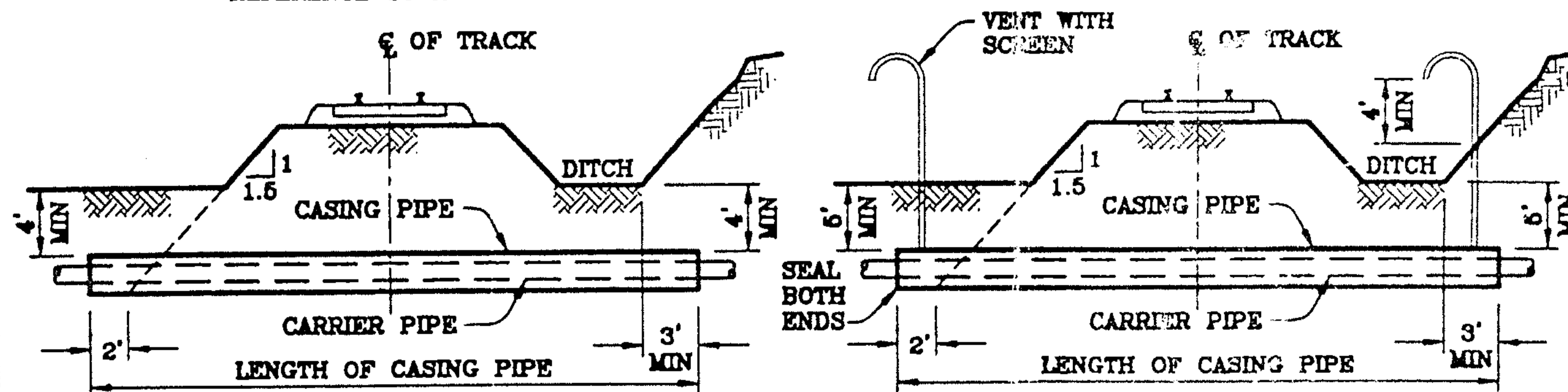


PLAN OF PIPELINE

NO SCALE

* IF ENGINEERING STATION OR MILE POST UNKNOWN, GIVE THE DISTANCE ALONG TRACK FROM RAILROAD STRUCTURE OR CENTERLINE OF PUBLIC STREET CROSSING.

MATERIALS AND INSTALLATIONS PER..... DRAWING NO. C.E..... C.S.....
 UNDERGROUND SIGNAL OR COMMUNICATION LINE INVOLVED..... YES..... NO.....
 FIBER OPTIC LINE INVOLVED..... YES..... NO.....
 SHORING PLAN AND CALCULATIONS REQD. PRIOR TO CONSTRUCTION. YES..... NO.....
 REFERENCE TO ASSIGNED BLANKET AGREEMENT NO.....



SECTION A-A
 PIPELINE CARRYING
 NON-FLAMMABLE SUBSTANCES

SEE C.S. 1741
 NO SCALE

SECTION A-A
 PIPELINE CARRYING
 FLAMMABLE SUBSTANCES

SEE C.S. 1742
 NO SCALE

DATA REQUIRED FOR PROPOSED
 PIPELINE ACROSS OR ALONG
 RIGHT OF WAY
 FORM C.E. 41708, SHEET 1 REVISED 6/96

DATA REQUIRED FOR PROPOSED
 PIPELINE ACROSS OR ALONG
 RIGHT OF WAY
 FORM CE41708 SHEET 1 REVISED JUNE 1996